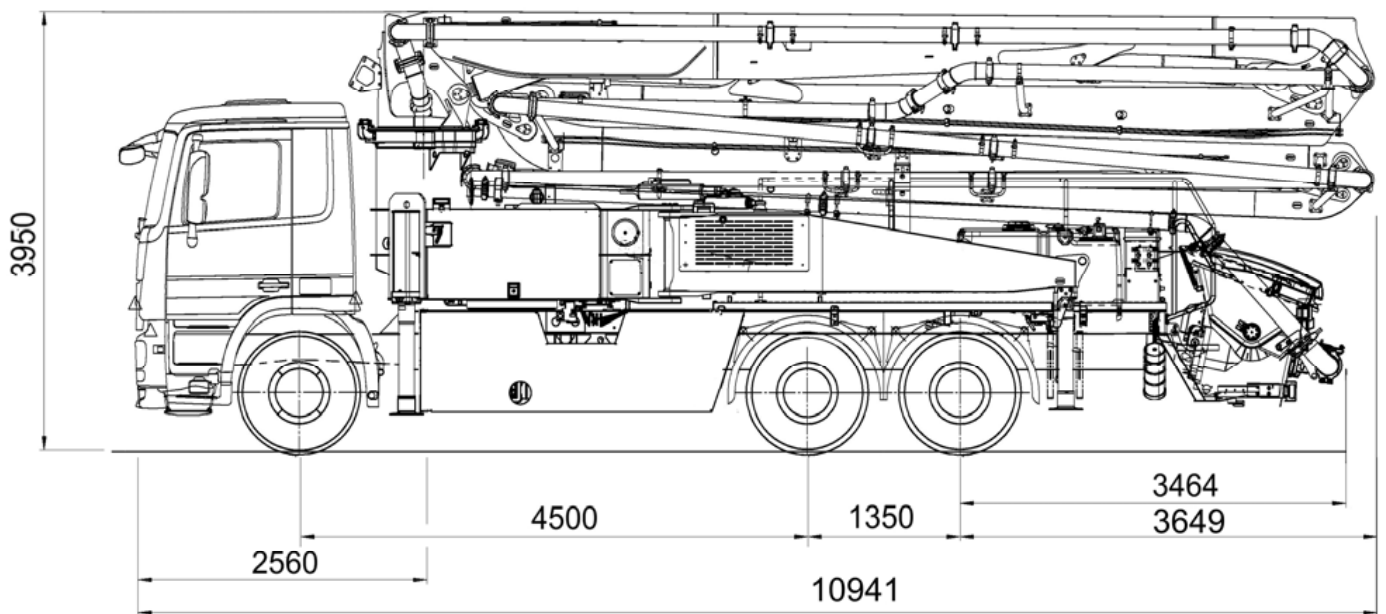
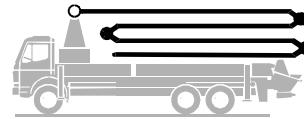


Truck-mounted concrete pump

BSF 36-4.16 H

.16 H LS

Output up to 160 m³/h
 Delivery pressure up to 85 bar*



Note: Standard version. Dimensions and weights depend on truck, pump model and equipment.
 Dimensions in mm, MB-Actros 2632 Euro 5 as example.
 For illustration only.

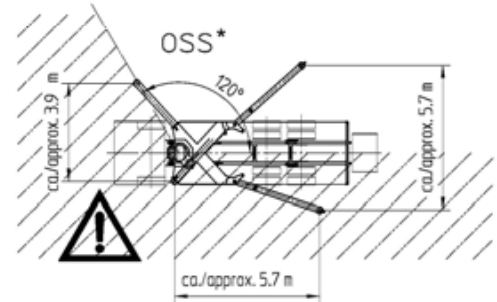
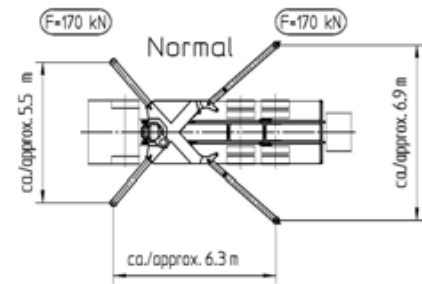
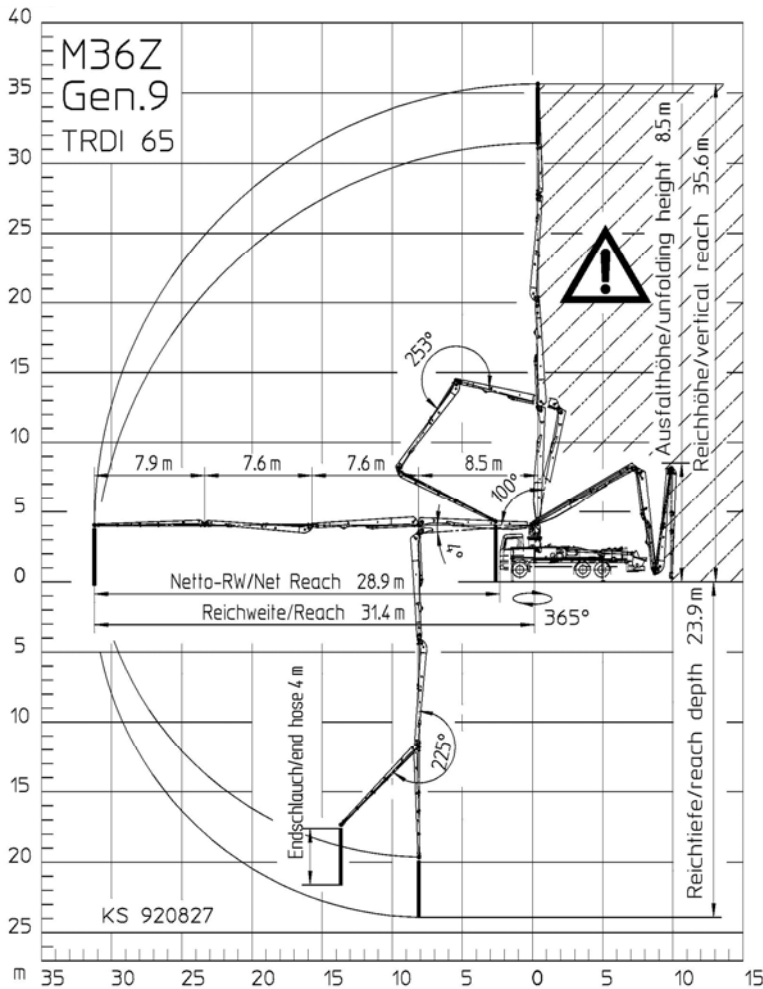
Technical data

Boom M 36-4 Gen. 9		
Sections		4
Reach height	m	35.6
Horizontal reach	gross	m 31.4
	net	m 28.9
Reach depth max.	m	23.9
Unfolding height	m	8.5
End hose length	m	4
Folding system		Z
Delivery line		DN 125

Pump		BSF	.16 H	.16H LS
Rod side	Output	m ³ /h	160	-
	Delivery pressure	bar	85	-
	Strokes	1/min.	31	-
Piston side	Output	m ³ /h	-	160
	Delivery pressure	bar	-	85
	Strokes	1/min.	-	26
	Delivery cylinder	Ø mm	230	250
	Stroke	mm	2100	2100

*) Delivery line boom max. 85 bar.
 All data maximum theoretical.

Reach information diagram, Support



OSS not included in series range.
Dimensions can differ depending on configuration.



Range in which you must not work with the end hose.

Serial delivery scope

Agitator and water pump radio remote/on site controlled	Ergonic Graphic Display (EGD) with machine fault management	Steps, first step foldable
Agitator safety switch off, RFID with startup protection	Ergonic Pump System (EPS) incl. Ergonic Output Control (EOC)	S-transfer tube switchover fast/slow
Box for delivery slip, plastic	Flushing water pump 160 l/min 25 bar	Support plates at swinging support leg in bracket
Box for sponge balls	Hand rail left and right side (not EEA)	Swivel support plates
Cardan shaft maintenance free	Hinged elbow with cleaning port	Tool set incl. standard equipment
Central lubrication hopper, electrically	Hydraulic hose for replacement in hose pack	Towing eye
Chassis horn via remote control on hopper	Operating manuals 2 x (1 x paper, 1 x CD-ROM) spare part list	Wash-out port lid with slide pin
Concrete hopper RS 909 with agitator	Platform non-skid	Water supply at hopper (1/2")
Connections for hydraulic emergency supply	Pump on/off dependent on speed	Water tank 800 l
C-pipe connection for filling water tank	Radio remote control proportional with display	Working light for illumination of hopper, detachable
Delivery cylinder chrome-plated	Remote control without display with 40 m cable	
Delivery line (1-layer) PM40, arm assembly	Rubber collar on concrete hopper	
Delivery piston 'compact' (16 H), 'single' (16 H LS)	Spectacle wear plate DURO 22	
Diagnose interface	Splash guard fixed	
End hose 4.0 m DN 125 5,5"	Spray hose 10 m incl. bracket	

See quotation for exact serial delivery scope.
Comprehensive range of options available on request.